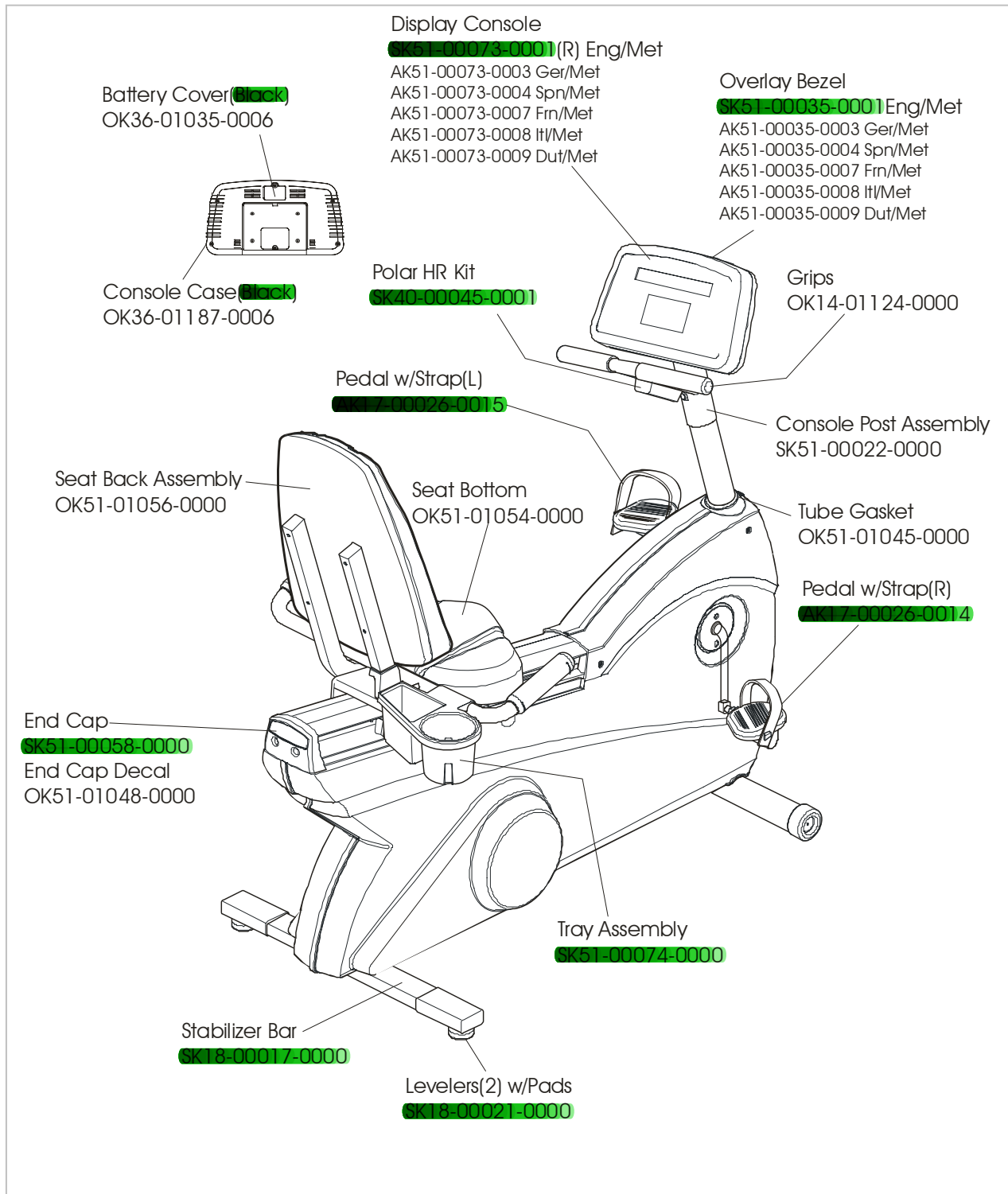
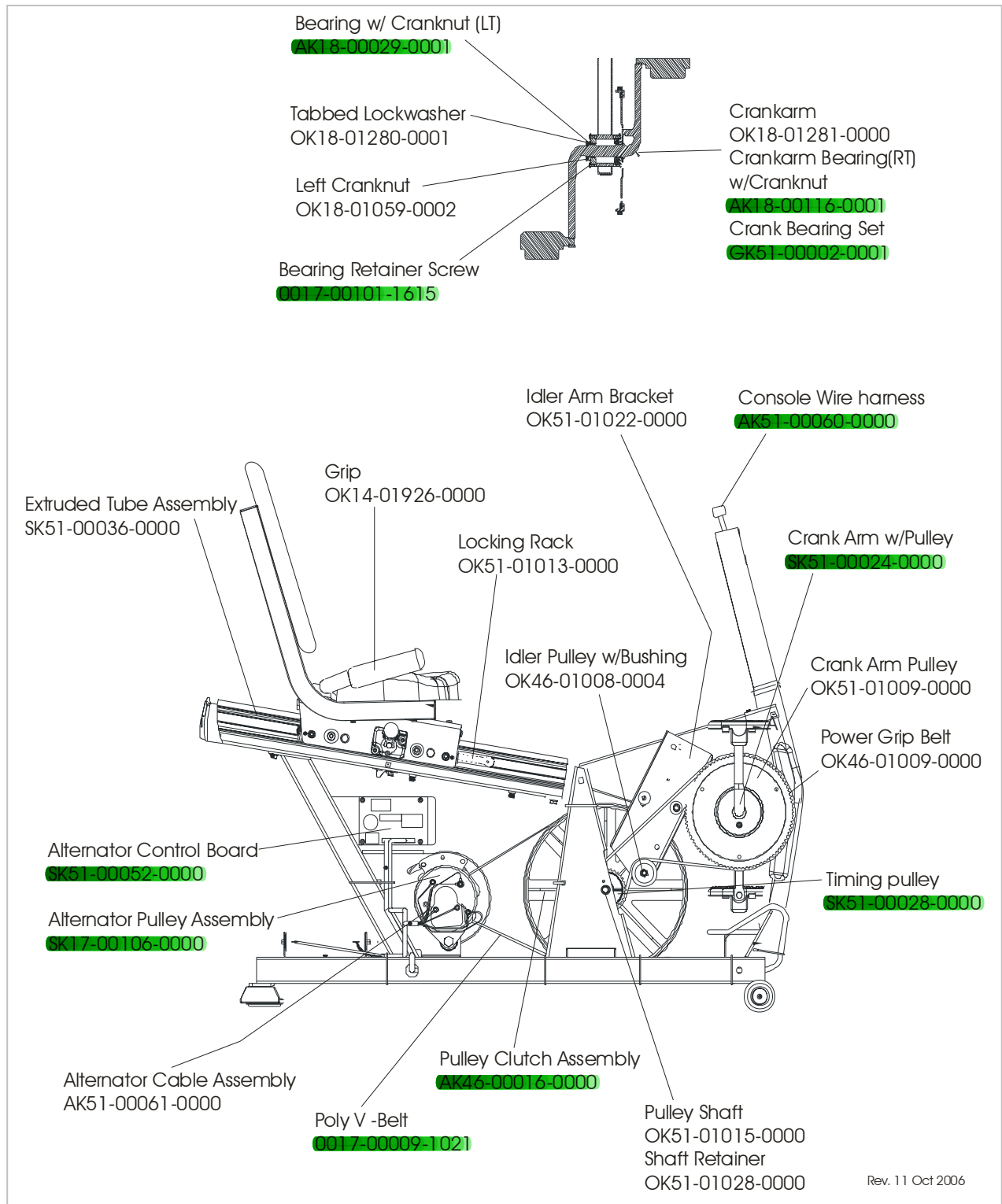


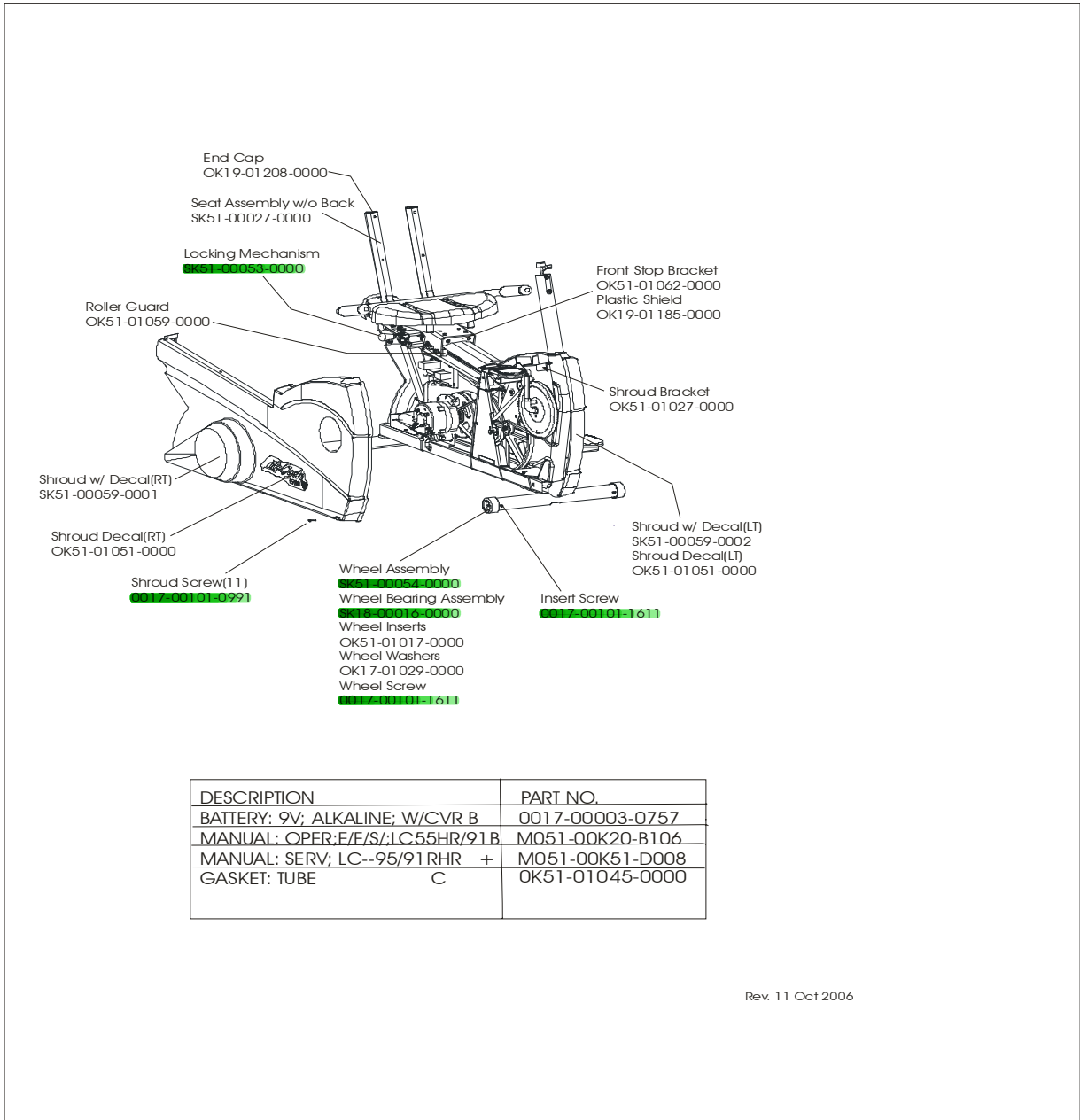
LC91R-0100-26



LC91R-0100-26



LC91R-0100-26



DESCRIPTION	PART NO.
BATTERY: 9V; ALKALINE; W/CVR B	0017-00003-0757
MANUAL: OPER: E/F/S/: LC55HR/91B	M051-00K20-B106
MANUAL: SERV; LC--95/91RHR +	M051-00K51-D008
GASKET: TUBE C	OK51-01045-0000

Rev. 11 Oct 2006